

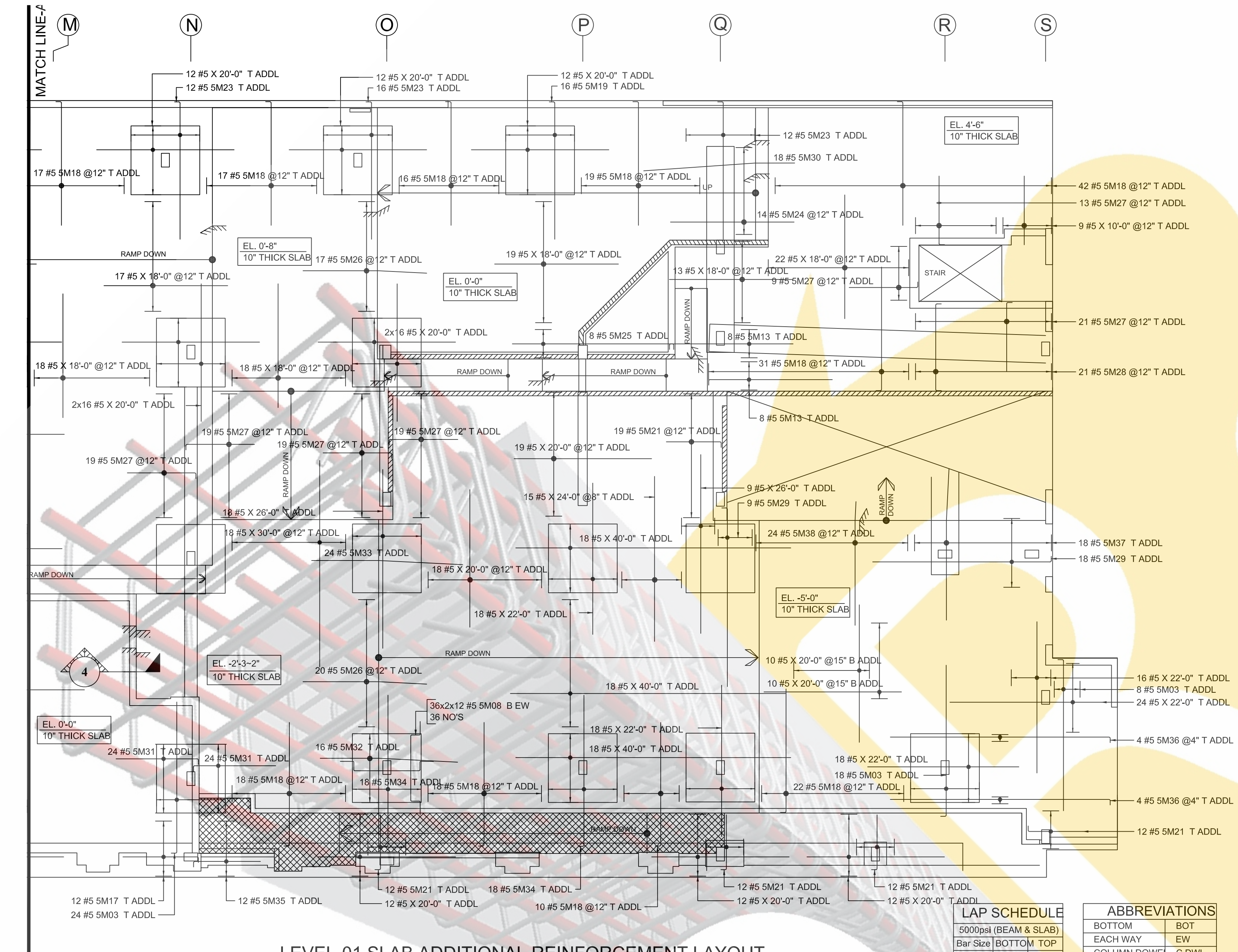
LEVEL-01 SLAB ADDITIONAL REINFORCEMENT LAYOUT

Scale - 1/10"=1'-0"
SDR: S-101.1 & S-101.2



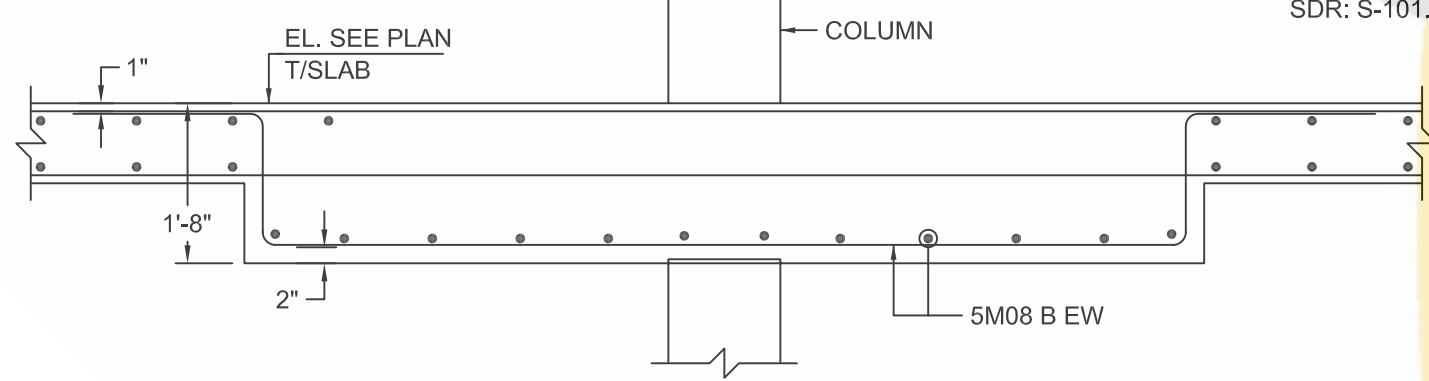
LAP SCHEDULE		
5000psi (BEAM & SLAB)		
Bar Size	BOTTOM	TOP
#3	1'-5"	1'-11"
#4	1'-11"	2'-6"
#5	2'-5"	3'-1"
#6	2'-10"	3'-9"
#7	4'-2"	5'-3"
#8	4'-8"	6'-1"
#9	5'-3"	6'-10"
#10	5'-11"	7'-9"
#11	6'-6"	8'-6"

ABBREVIATIONS	
BOTTOM	BOT
EACH WAY	EW
COLUMN DOWEL	C DWL
TOP OF SLAB	T/SLAB
LONG WAY	LW
SHORT WAY	SW
TOP & BOTTOM	T&B
TOP	T
HORIZONTAL	H
CORNER	COR
VERTICAL	V
STIRRUPS	STIRR
EACH SIDE	ES
TOP OF WALL	T/WALL



LEVEL-01 SLAB ADDITIONAL REINFORCEMENT LAYOUT

Scale - 1/10"=1'-0"
SDR: S-101.1 & S-101.2

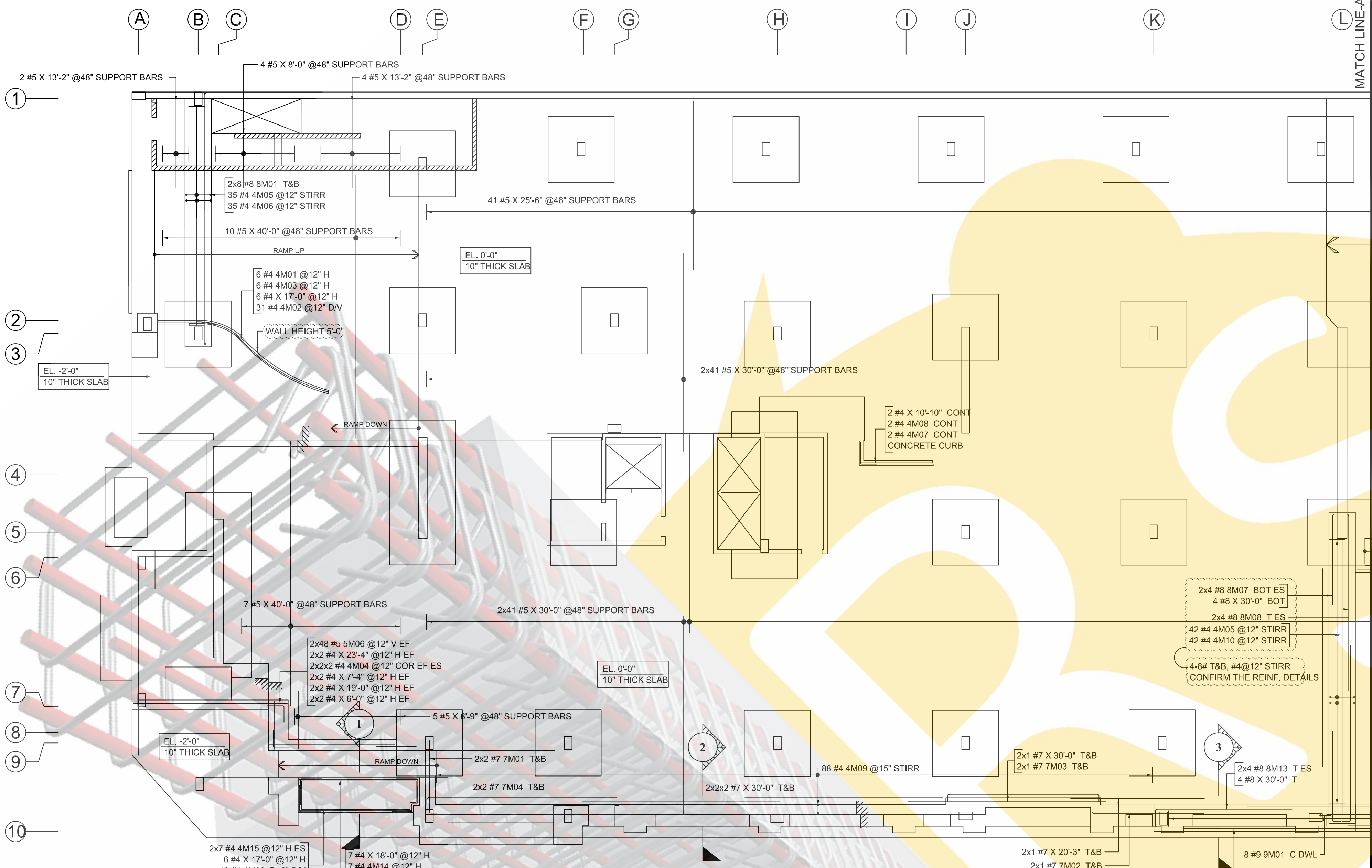


TYPICAL DROP CAP SECTION AT COLUMN

Scale - 1/2"=1'-0"
SDR: 9/S4.03

LAP SCHEDULE		
5000psi (BEAM & SLAB)		
Bar Size	BOTTOM	TOP
#3	1'-5"	1'-11"
#4	1'-11"	2'-6"
#5	2'-5"	3'-1"
#6	2'-10"	3'-9"
#7	4'-2"	5'-3"
#8	4'-8"	6'-1"
#9	5'-3"	6'-10"
#10	5'-11"	7'-9"
#11	6'-6"	8'-6"

ABBREVIATIONS	
BOTTOM	BOT
EACH WAY	EW
COLUMN DOWEL	C DWL
TOP OF SLAB	T/SLAB
LONG WAY	LW
SHORT WAY	SW
TOP & BOTTOM	T&B
TOP	T
HORIZONTAL	H
CORNER	COR
VERTICAL	V
STIRRUPS	STIRR
EACH SIDE	ES
TOP OF WALL	T/WALL



LEVEL-01 SLAB & BEAM REINFORCEMENT LAYOUT

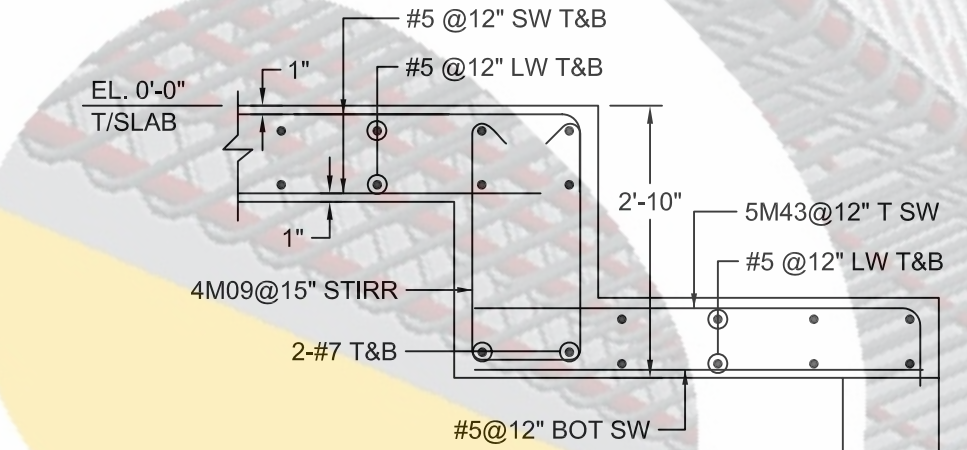
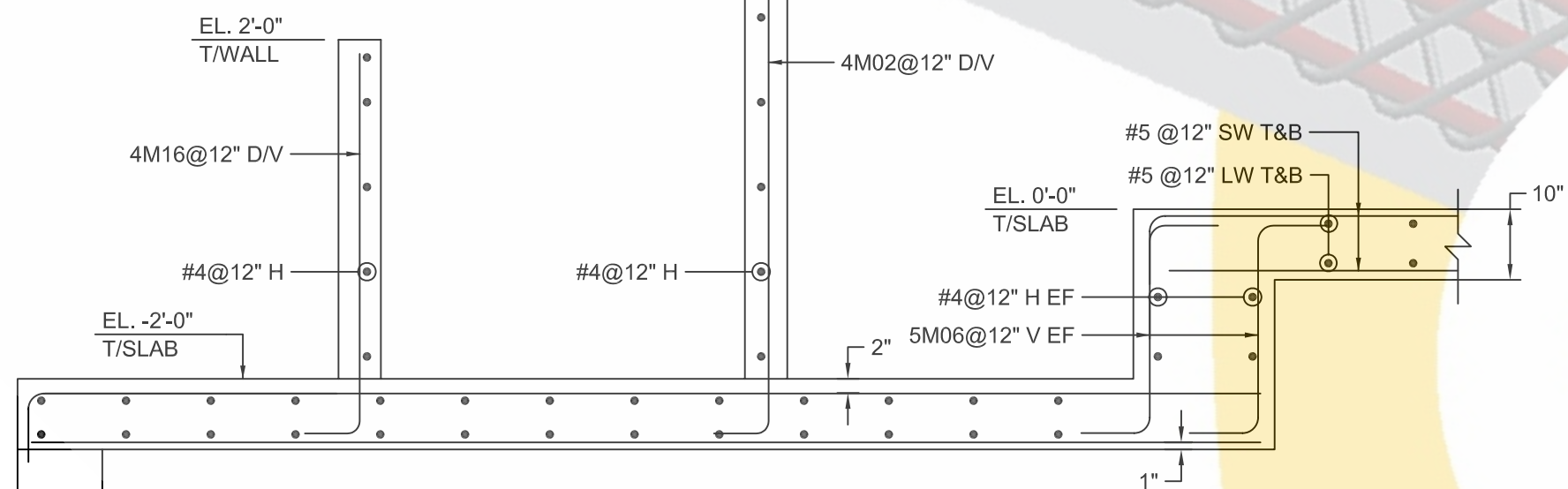
Scale - 1/10"=1'-0"
SDR: S-101.1 & S-101.2

LAP SCHEDULE		
5000psi (BEAM & SLAB)		
Bar Size	BOTTOM	TOP
#3	1'-5"	1'-11"
#4	1'-11"	2'-6"
#5	2'-5"	3'-1"
#6	2'-10"	3'-9"
#7	4'-2"	5'-3"
#8	4'-8"	6'-1"
#9	5'-3"	6'-10"
#10	5'-11"	7'-9"
#11	6'-6"	8'-6"

ABBREVIATIONS	
BOTTOM	BOT
EACH WAY	EW
COLUMN DWEL	C DWL
TOP OF SLAB	T/SLAB
LONG WAY	LW
SHORT WAY	SW
TOP & BOTTOM	T&B
TOP	T
HORIZONTAL	H
CORNER	COR
VERTICAL	V
STIRRUPS	STIRR
EACH SIDE	ES
TOP OF WALL	T/WALL

SECTION 1
Scale - 1/2"=1'-0"
SDR: 17/S3.01

SECTION 2
Scale - 1/2"=1'-0"
SDR: 1/S4.05



MATCH LINE-F

MATCH LINE-A

M

N

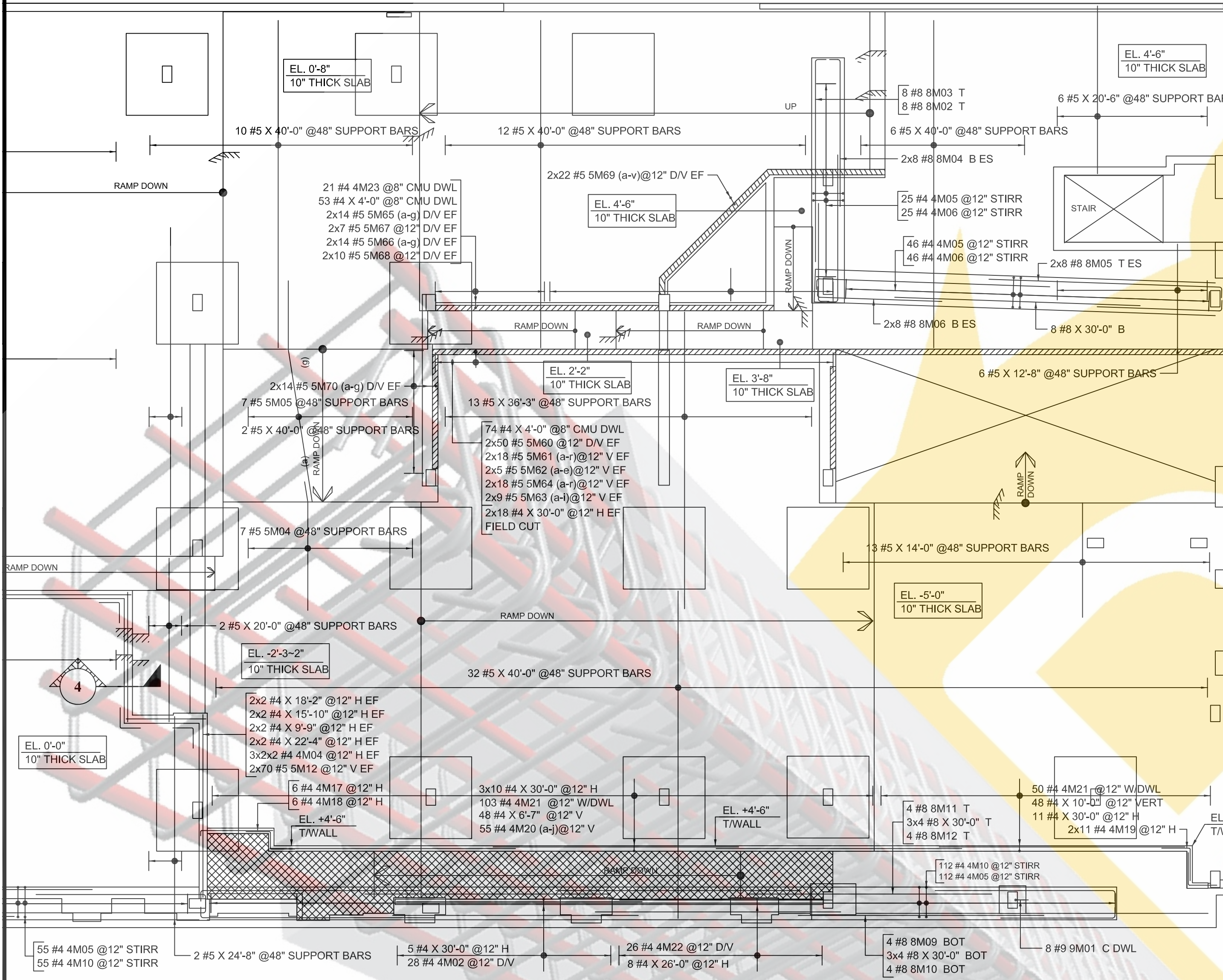
O

P

Q

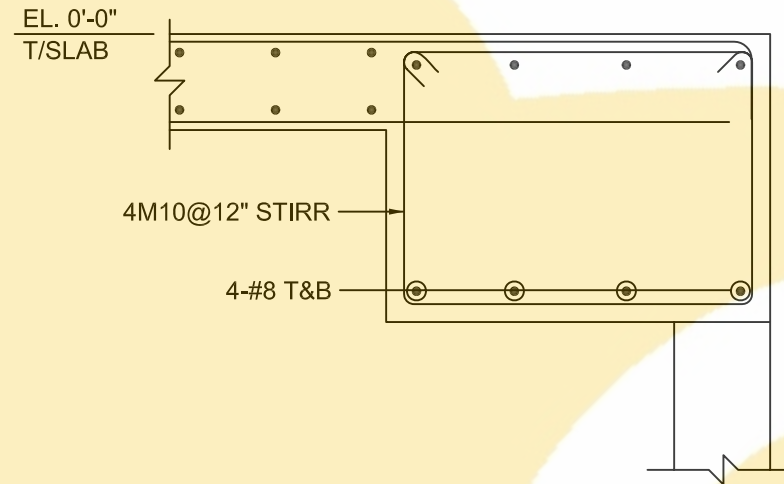
R

S



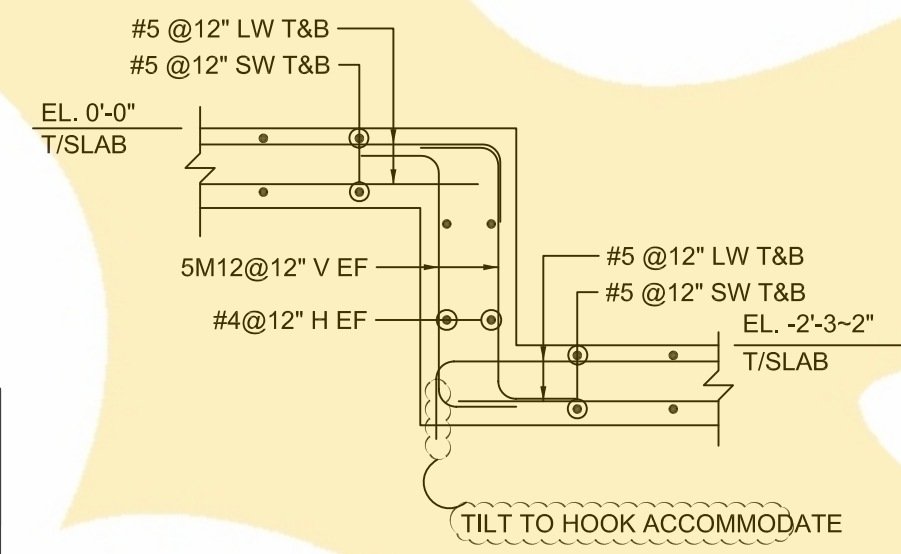
LEVEL-01 SLAB & BEAM REINFORCEMENT LAYOUT

Scale - 1/10"=1'-0"
SDR: S-101.1 & S-101.2



SECTION 3

Scale - 1/2"=1'-0"
SDR: 17/S4.03



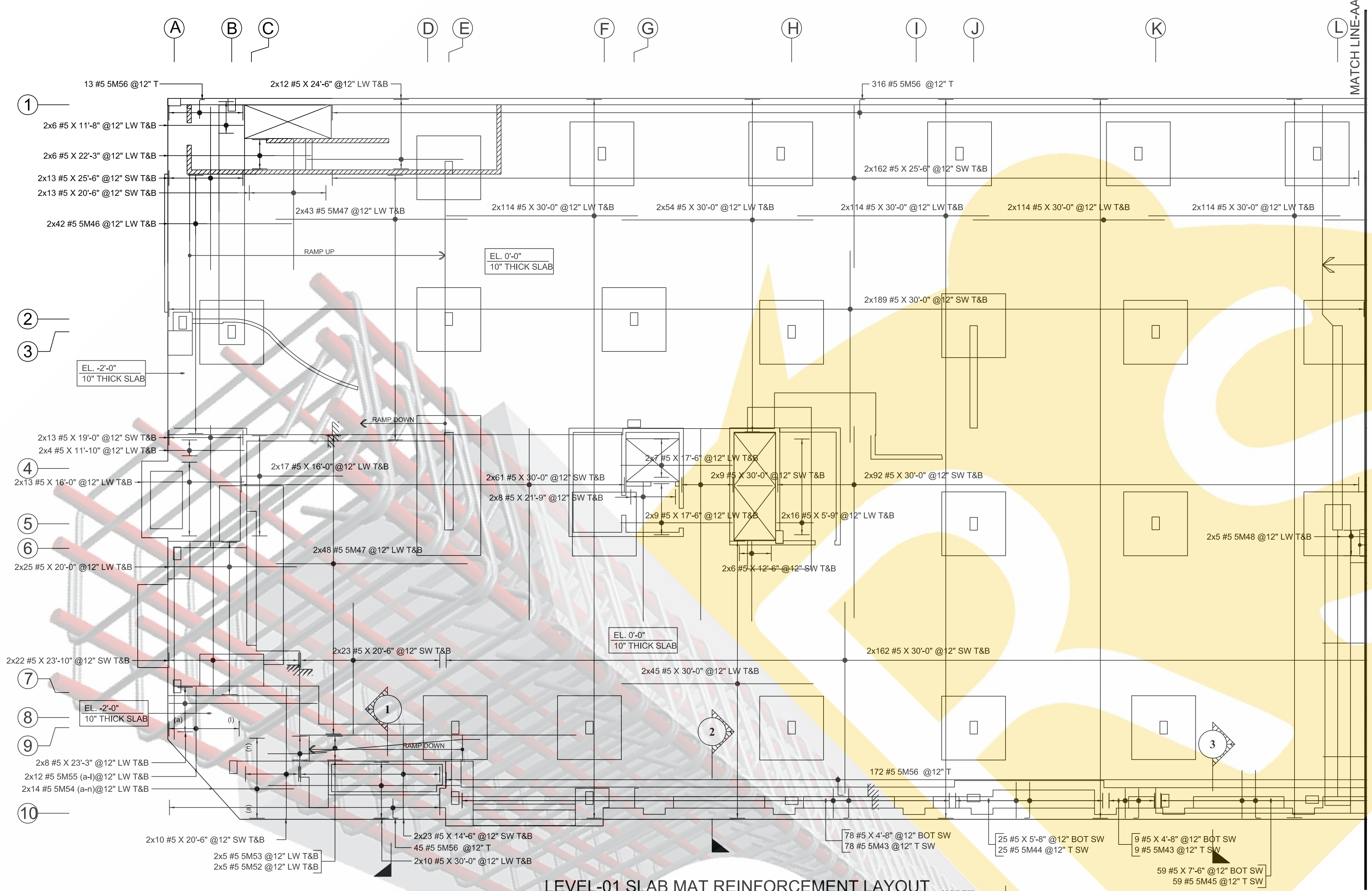
SECTION 4

Scale - 1/2"=1'-0"
SDR: 17/S4.03

LAP SCHEDULE		
5000psi (BEAM & SLAB)		
Bar Size	BOTTOM	TOP
#3	1'-5"	1'-11"
#4	1'-11"	2'-6"
#5	2'-5"	3'-1"
#6	2'-10"	3'-9"
#7	4'-2"	5'-3"
#8	4'-8"	6'-1"
#9	5'-3"	6'-10"
#10	5'-11"	7'-9"
#11	6'-6"	8'-6"

ABBREVIATIONS	
BOTTOM	BOT
EACH WAY	EW
COLUMN DOWEL	C DWL
TOP OF SLAB	T/SLAB
LONG WAY	LW
SHORT WAY	SW
TOP & BOTTOM	T&B
TOP	T
HORIZONTAL	H
CORNER	COR
VERTICAL	V
STIRRUPS	STIRR
EACH SIDE	ES
TOP OF WALL	T/WALL

ONCE REBAR SERVICES



LEVEL-01 SLAB MAT REINFORCEMENT LAYOUT

Scale - 1/10"=1'-0"
SDR: S-101.1 & S-101.2



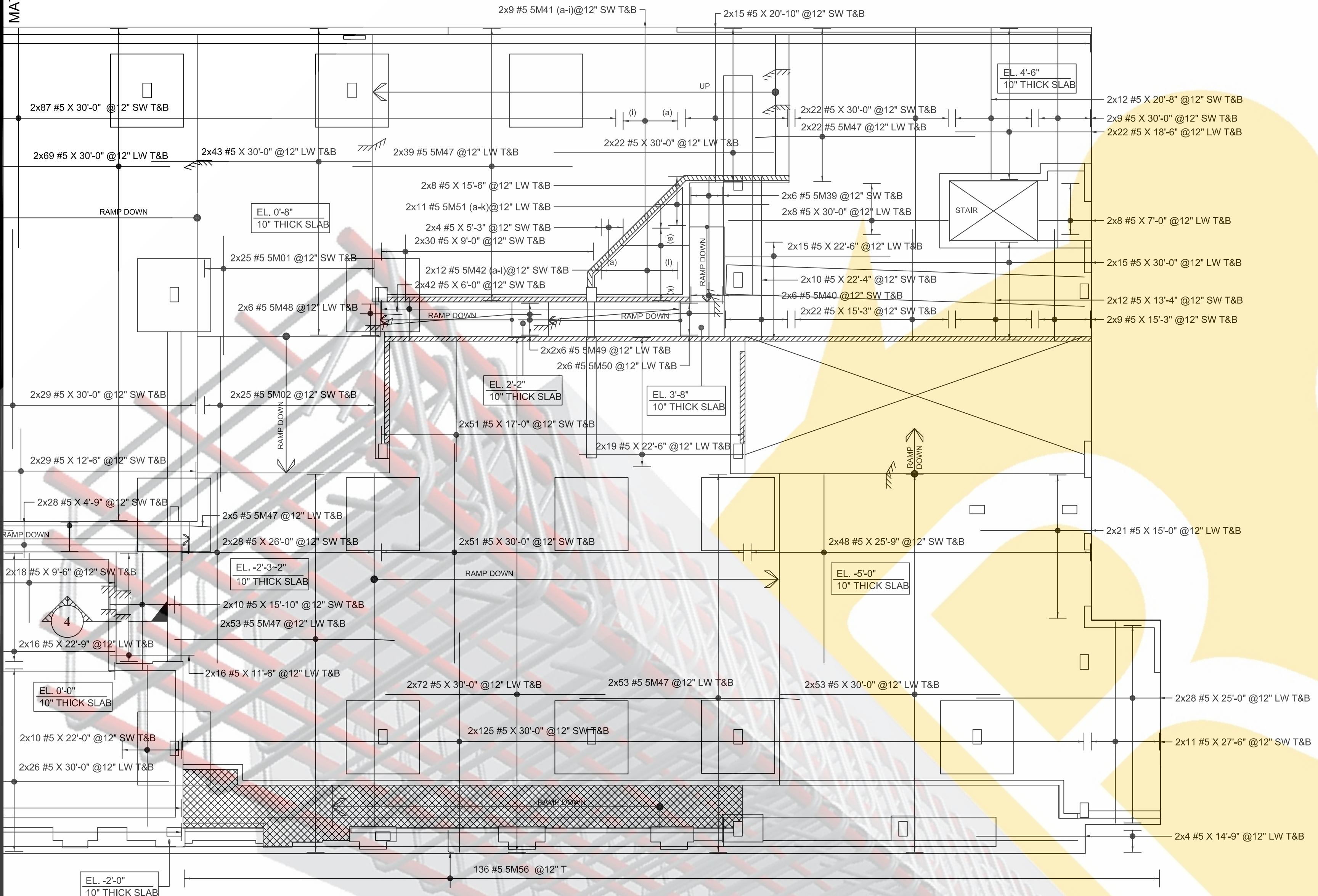
LAP SCHEDULE		
5000psi (BEAM & SLAB)		
Bar Size	BOTTOM	TOP
#3	1'-5"	1'-11"
#4	1'-11"	2'-6"
#5	2'-5"	3'-1"
#6	2'-10"	3'-9"
#7	4'-2"	5'-3"
#8	4'-8"	6'-1"
#9	5'-3"	6'-10"
#10	5'-11"	7'-9"
#11	6'-6"	8'-6"

ABBREVIATIONS	
BOTTOM	BOT
EACH WAY	EW
COLUMN DOWEL	C DWL
TOP OF SLAB	T/SLAB
LONG WAY	LW
SHORT WAY	SW
TOP & BOTTOM	T&B
TOP	T
HORIZONTAL	H
CORNER	COR
VERTICAL	V
STIRRUPS	STIRR
EACH SIDE	ES
TOP OF WALL	T/WALL

MATCH LINE-AA

MATCH LINE-AA

M N O P Q R S



LEVEL-01 SLAB MAT REINFORCEMENT LAYOUT

Scale - 1/10"=1'-0"
SDR: S-101.1 & S-101.2



LAP SCHEDULE		
5000psi (BEAM & SLAB)	Bar Size	
	BOTTOM	TOP
#3	1'-5"	1'-11"
#4	1'-11"	2'-6"
#5	2'-5"	3'-1"
#6	2'-10"	3'-9"
#7	4'-2"	5'-3"
#8	4'-8"	6'-1"
#9	5'-3"	6'-10"
#10	5'-11"	7'-9"
#11	6'-6"	8'-6"

ABBREVIATIONS	
BOTTOM	BOT
EACH WAY	EW
COLUMN DOWEL	C DWL
TOP OF SLAB	T/SLAB
LONG WAY	LW
SHORT WAY	SW
TOP & BOTTOM	T&B
TOP	T
HORIZONTAL	H
CORNER	COR
VERTICAL	V
STIRRUPS	STIRR
EACH SIDE	ES
TOP OF WALL	T/WALL

ONCE REBAR SERVICES

